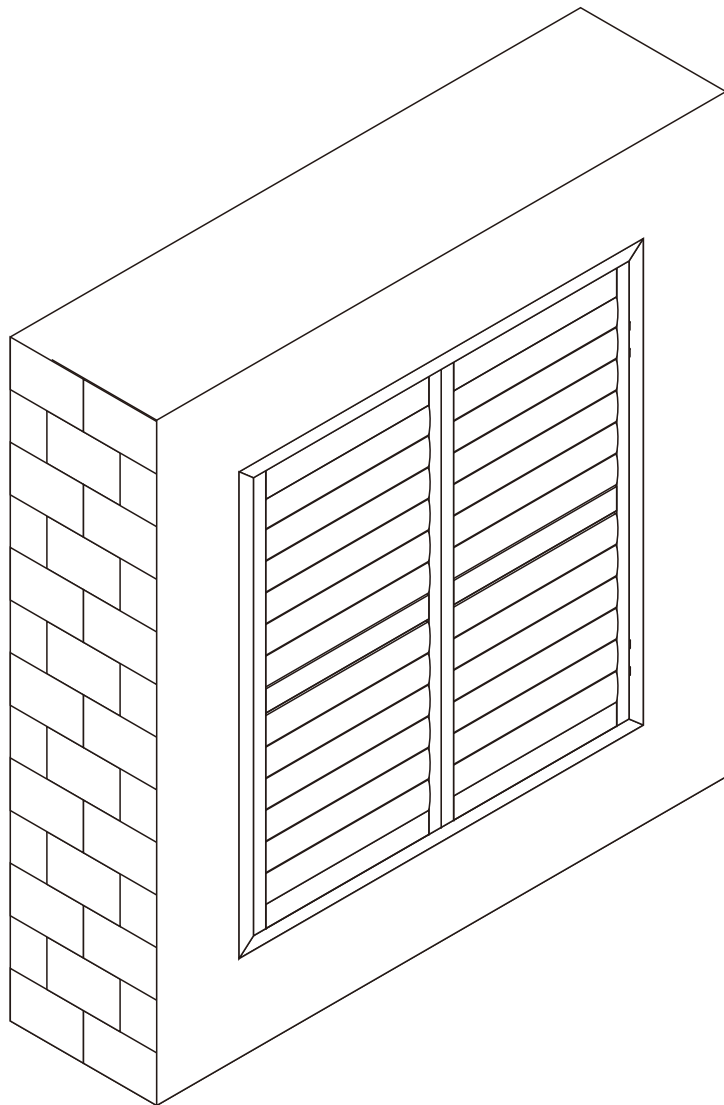
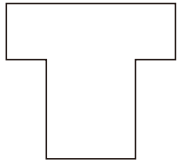




AUSSIE SHUTTER
EXPRESS.com.au

Shutter Installation Instructions

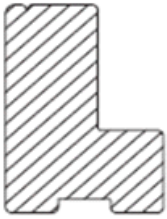




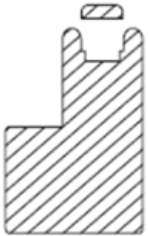
T Post Installation 1



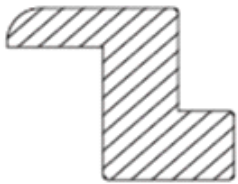
Strike Plate 2



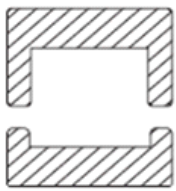
Recess L Frame 3-4



Face-fit L Frame 5-6



Z Frame 7-8



U Channel 9



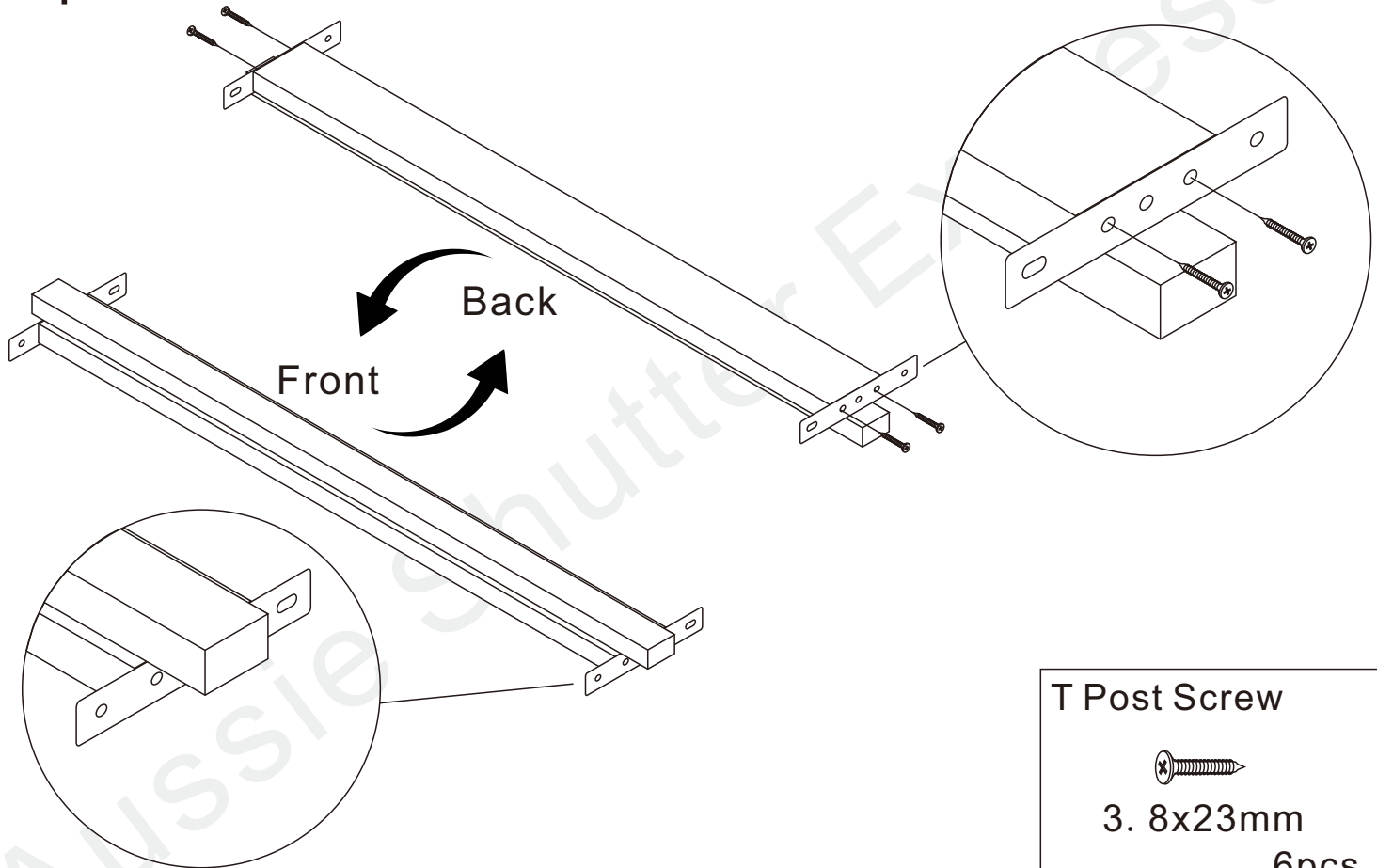
Hangstrip 10

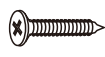


No Frame 11

Step 1

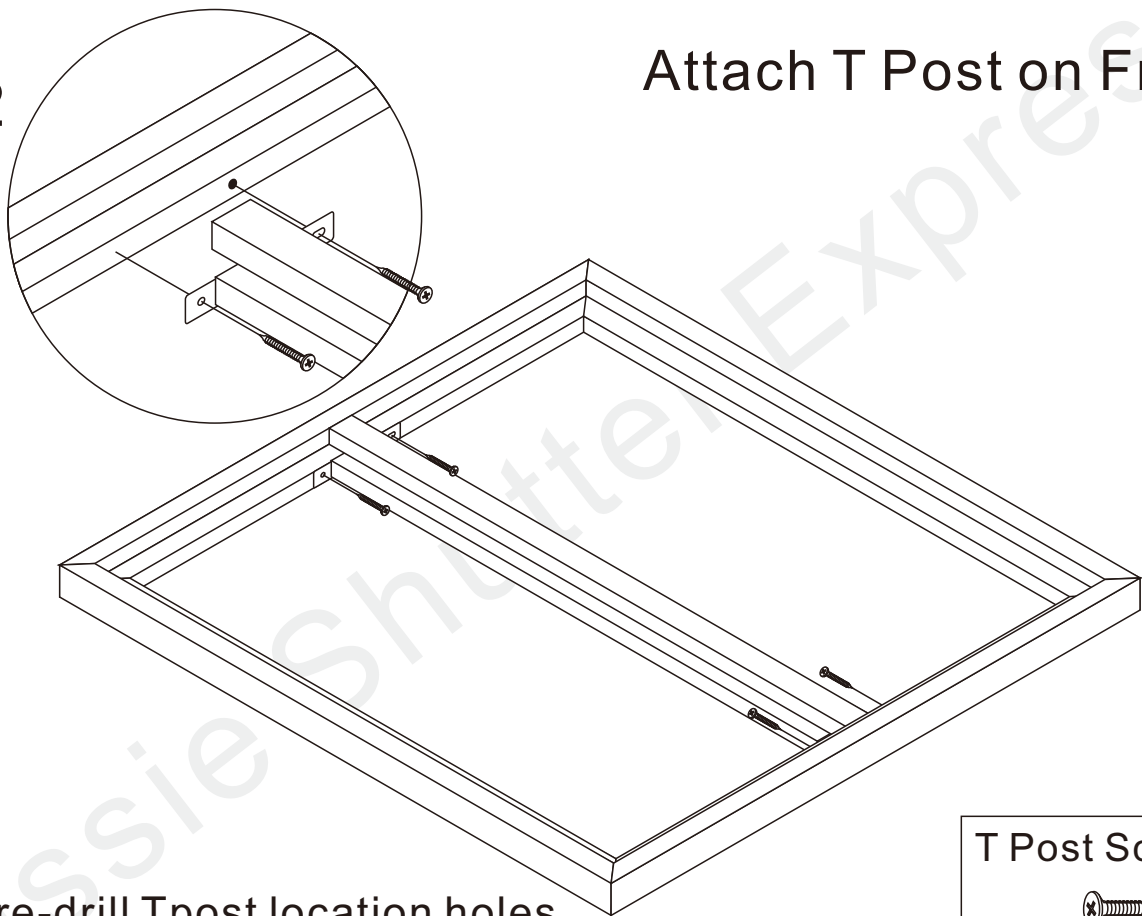
T Post Plate




T Post Screw

3. 8x23mm
6pcs

Step 2

Attach T Post on Frames

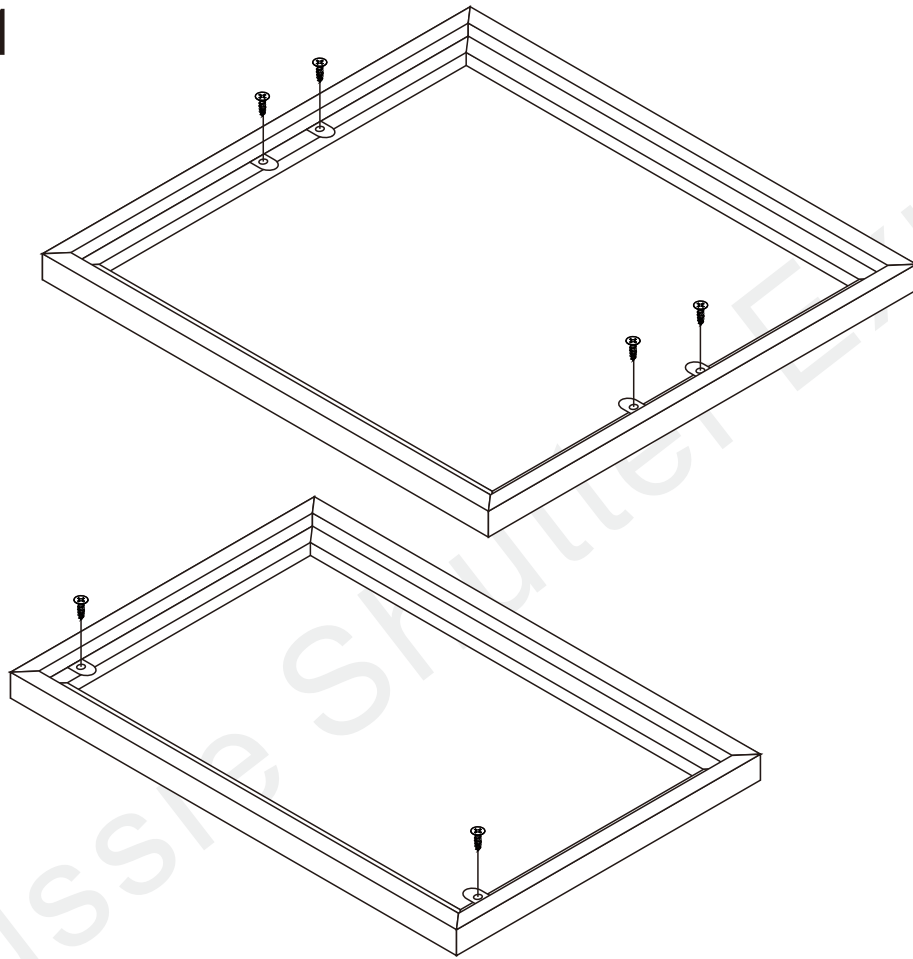



T Post Screw

3. 8x23mm
4pcs

*Match pre-drill Tpost location holes on Top/Bottom frame with big right side hole on Tpost Plate.

Step 1

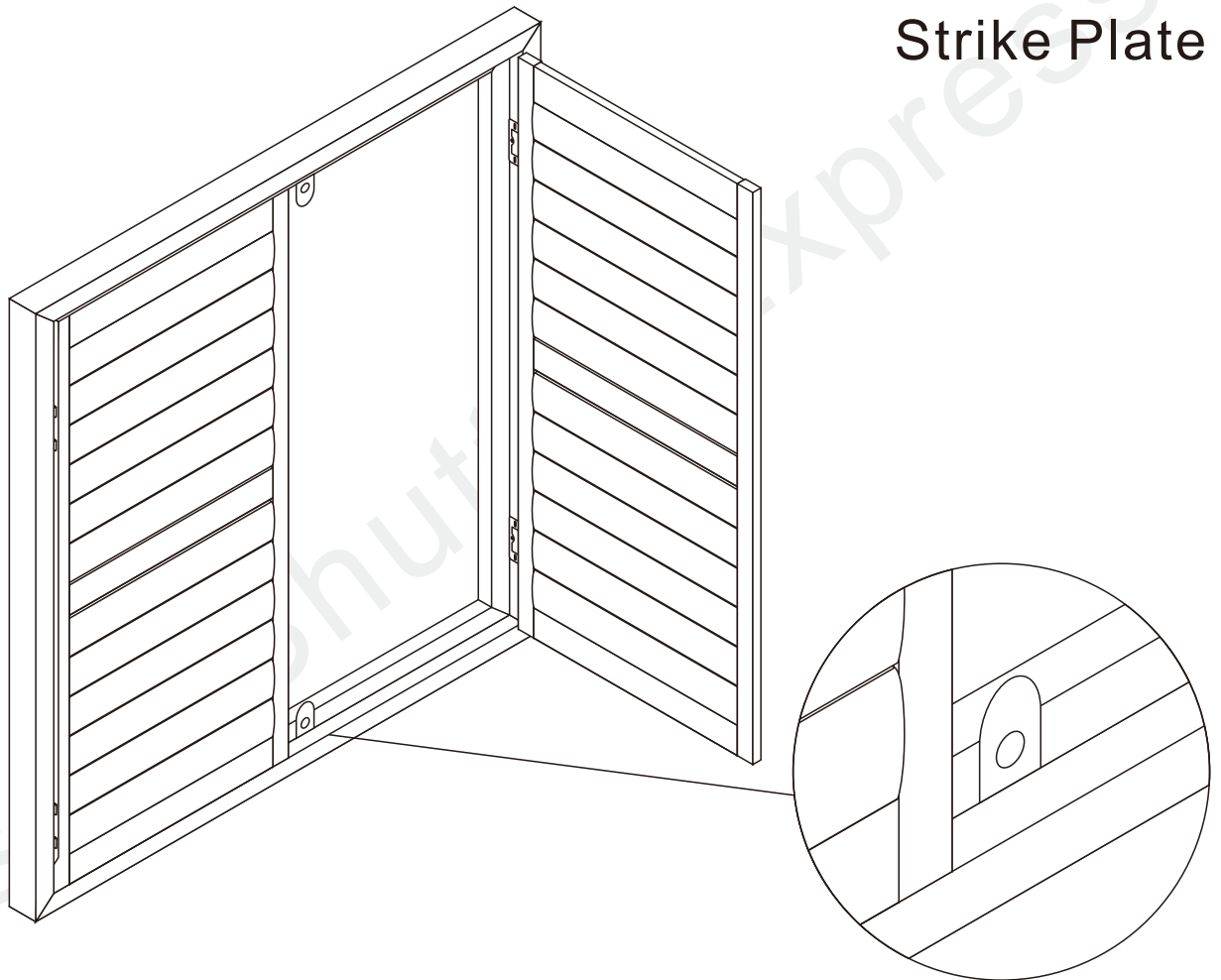
Strike Plate



Strike Plate Screw

4x11mm
2pcs

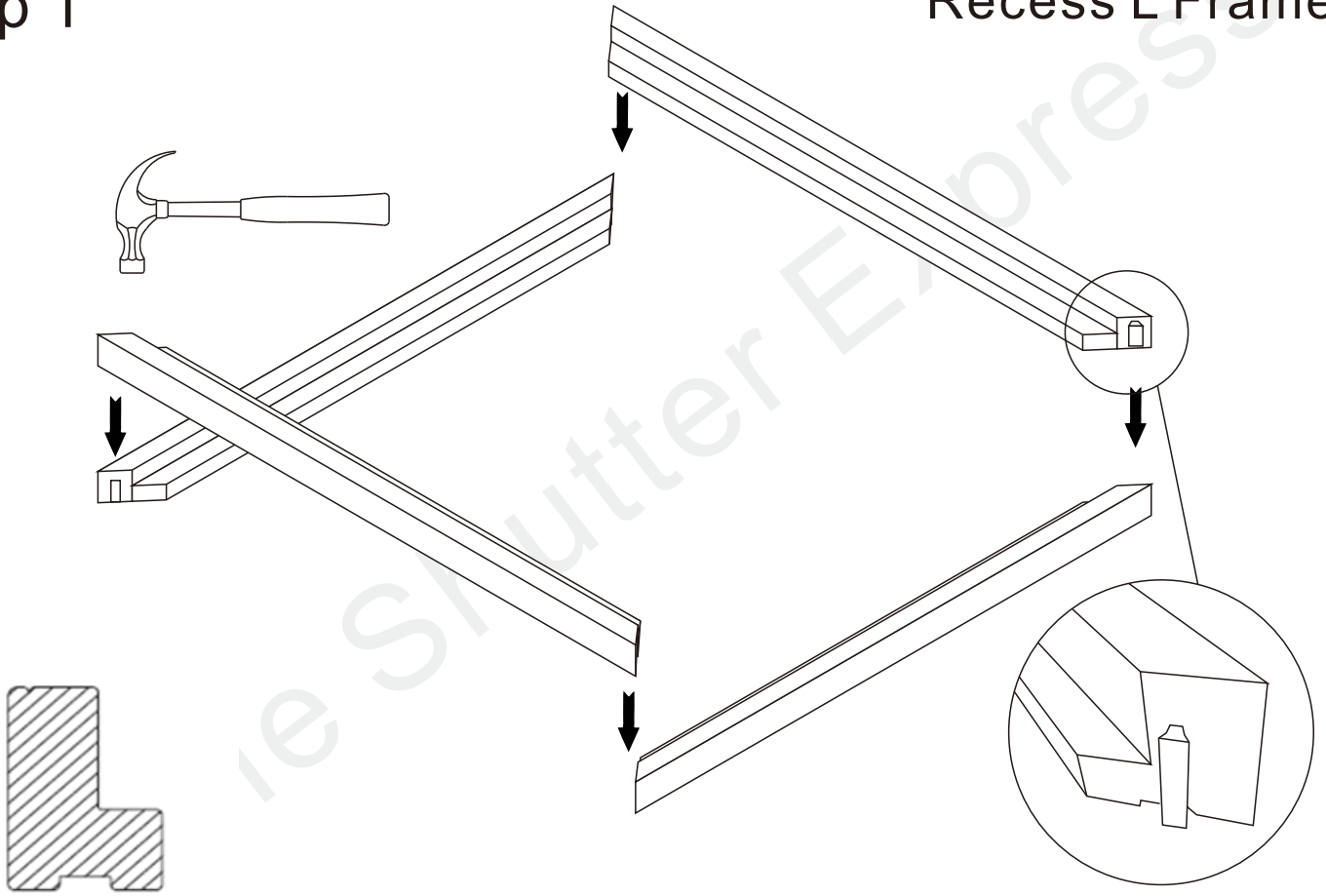
Step 2

Strike Plate



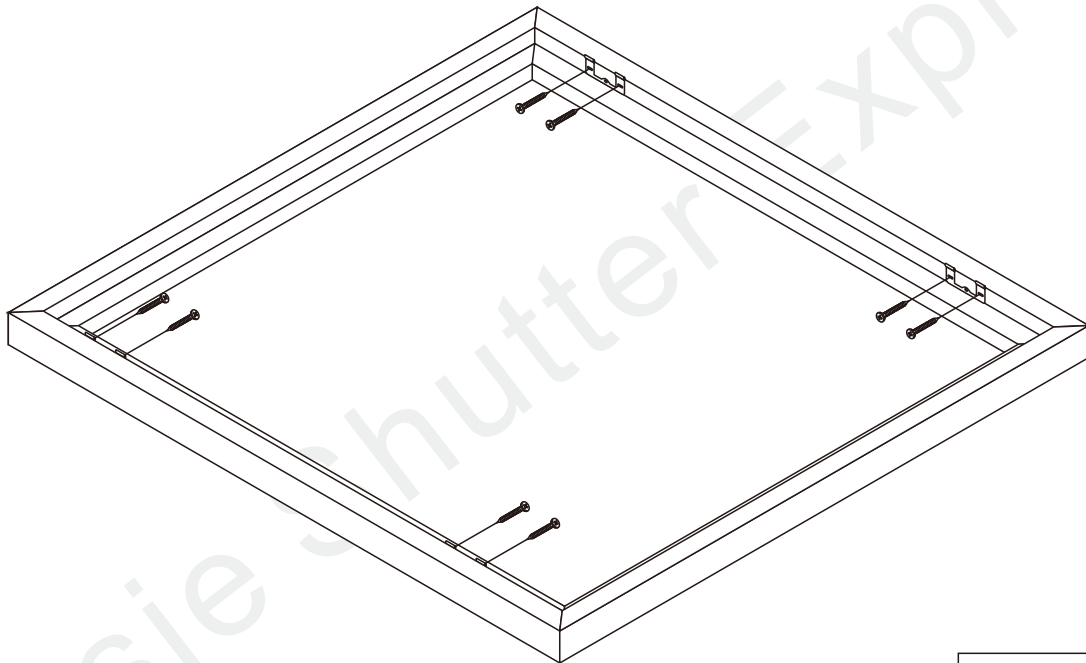
Step 1

Recess L Frame



Step 2

Recess L Frame



Hinge Screw

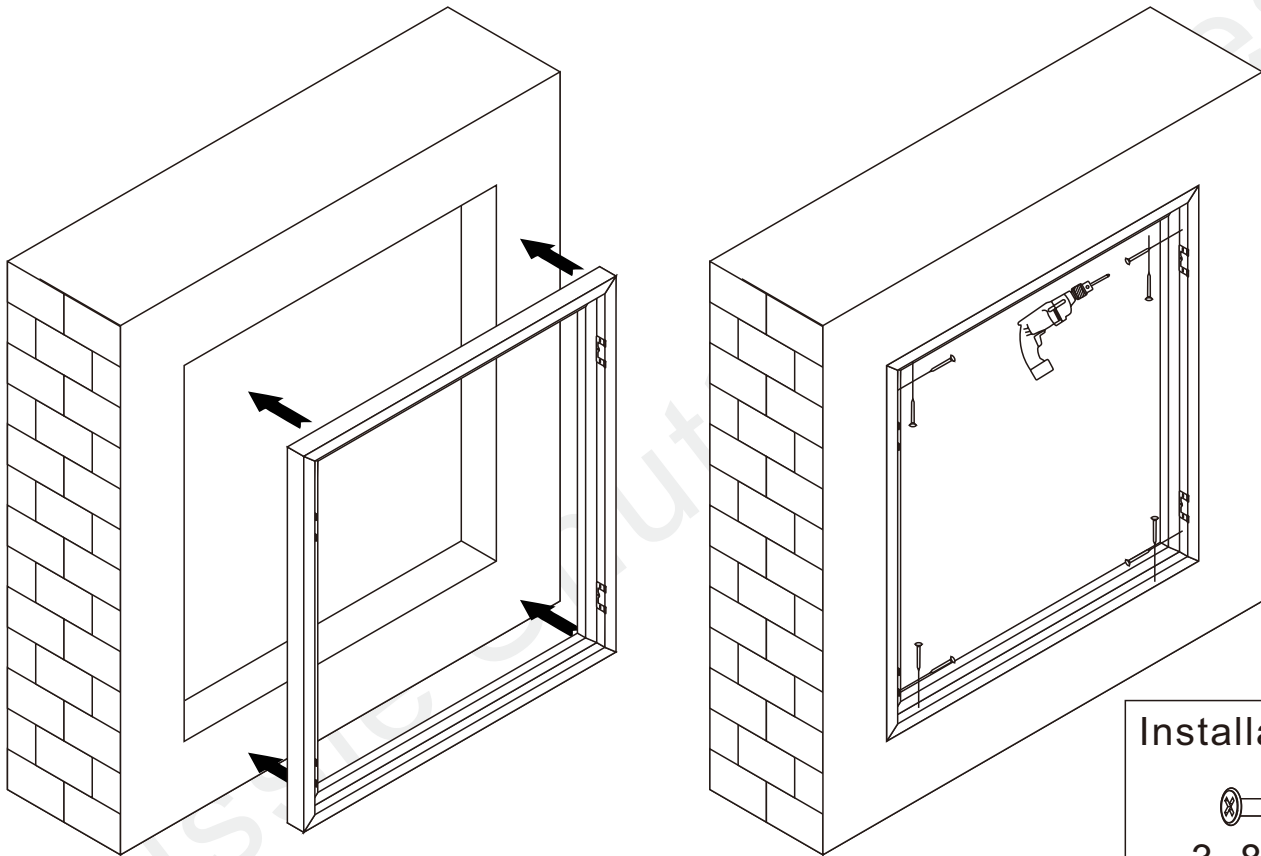



3. 8x23mm

8pcs

Step 3

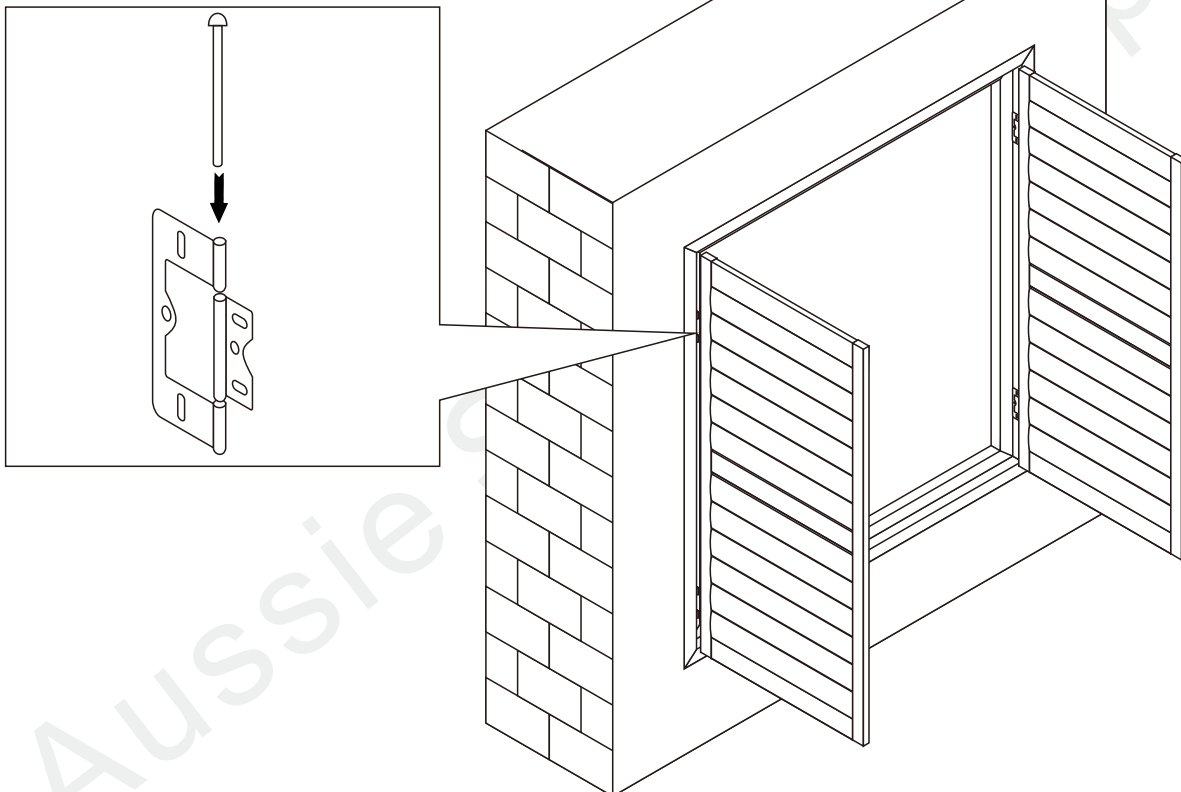
Recess L Frame



Installation Screw

3. 8x63.5mm
8pcs

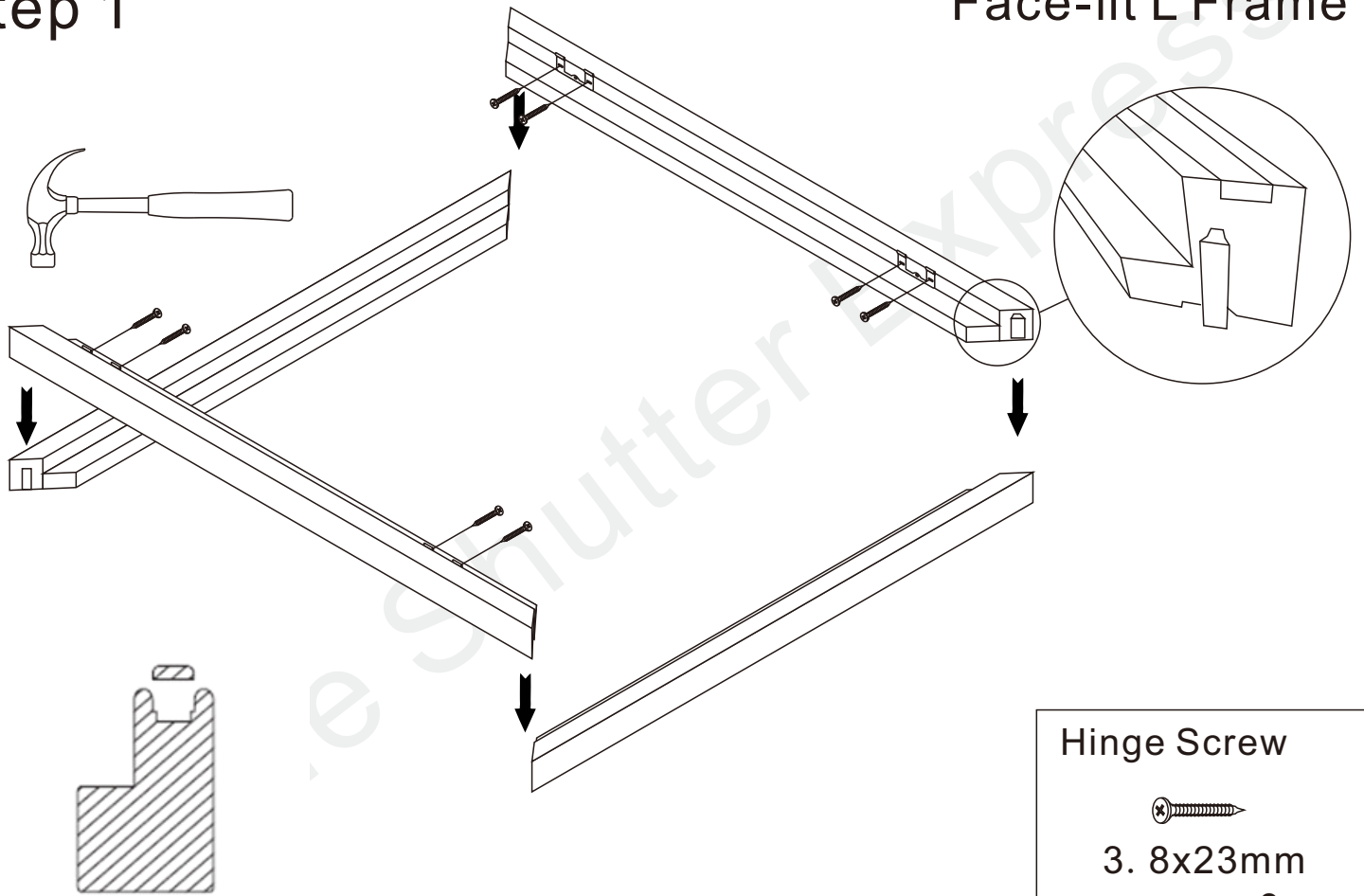
Step 4


Recess L Frame



Step 1

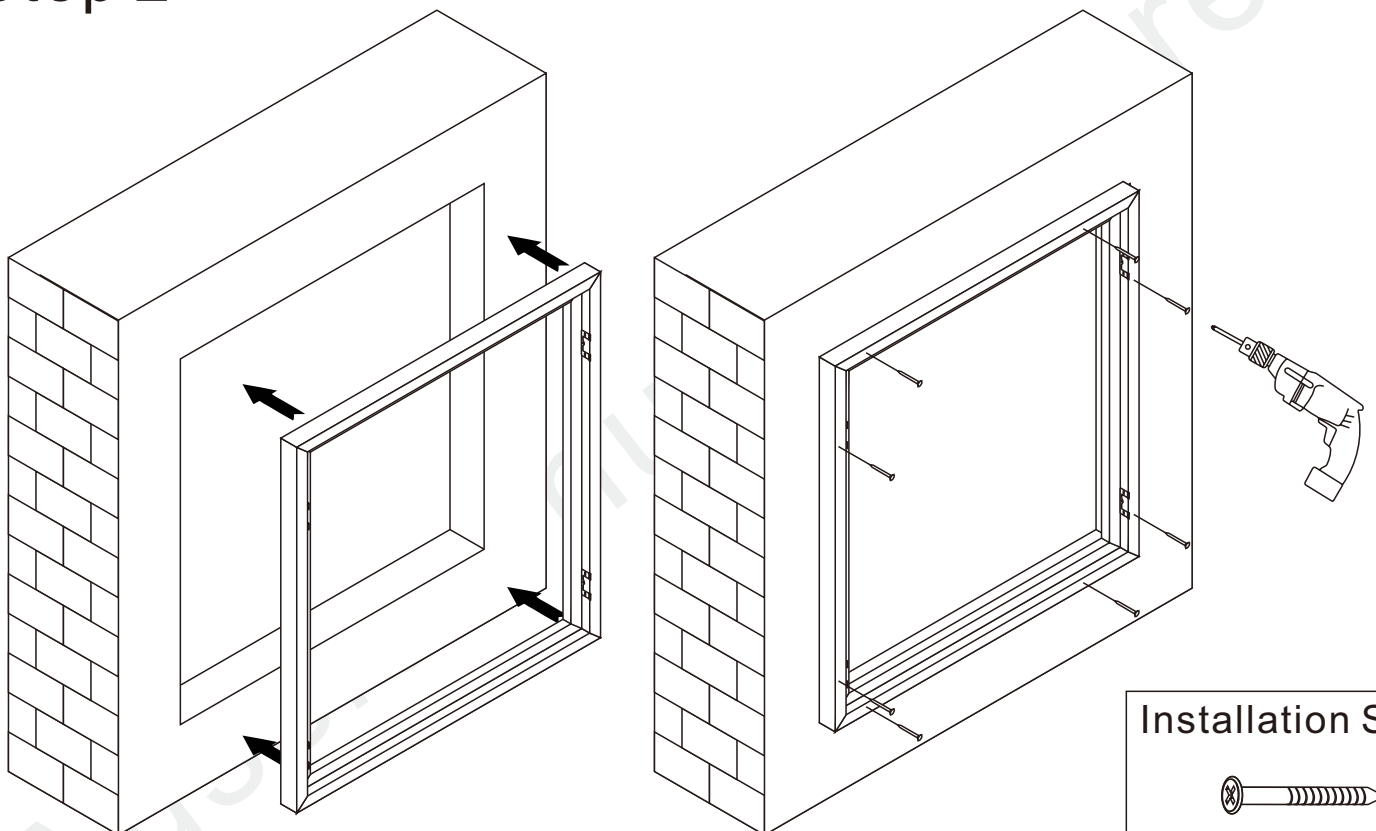
Face-fit L Frame




Hinge Screw

3. 8x23mm
8pcs

Step 2

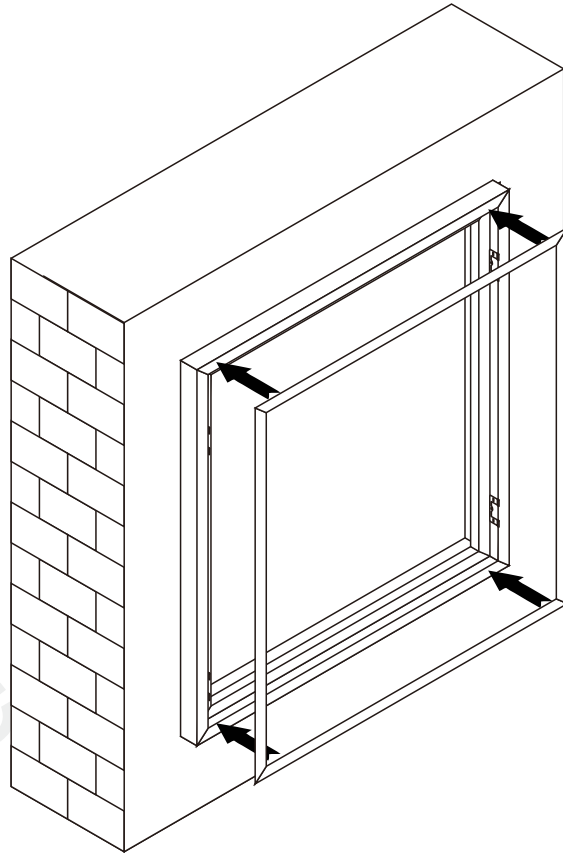
Face-fit L Frame



Installation Screw

3. 8x63.5mm
8pcs

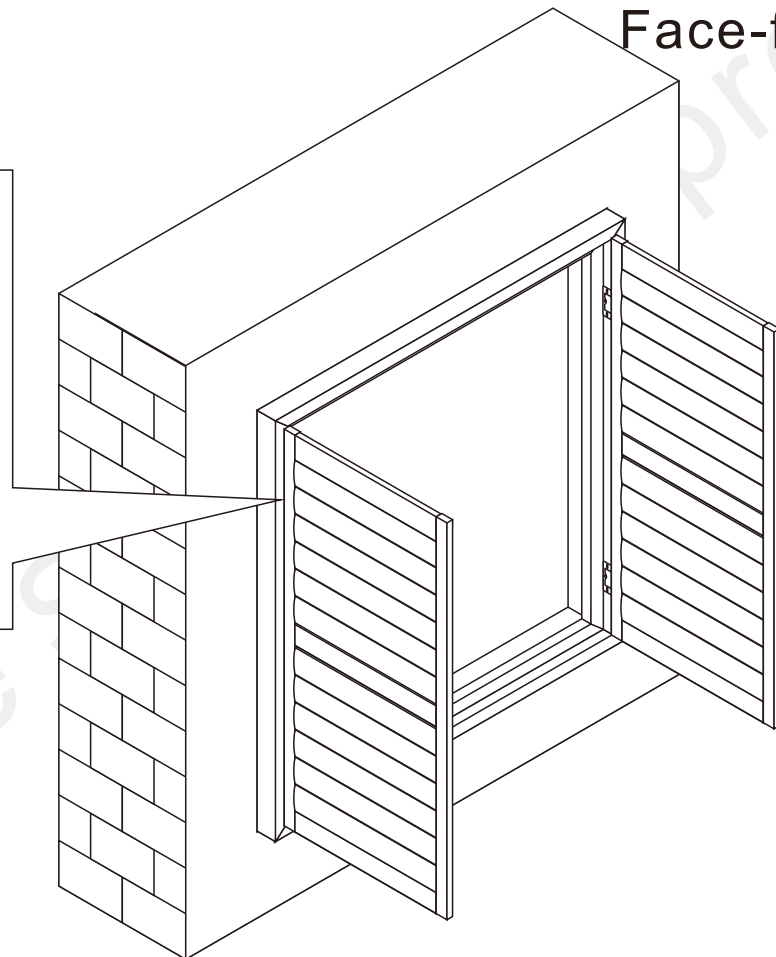
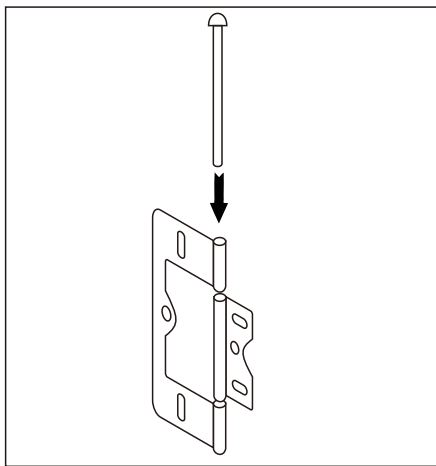
Step 3

Face-fit L Frame

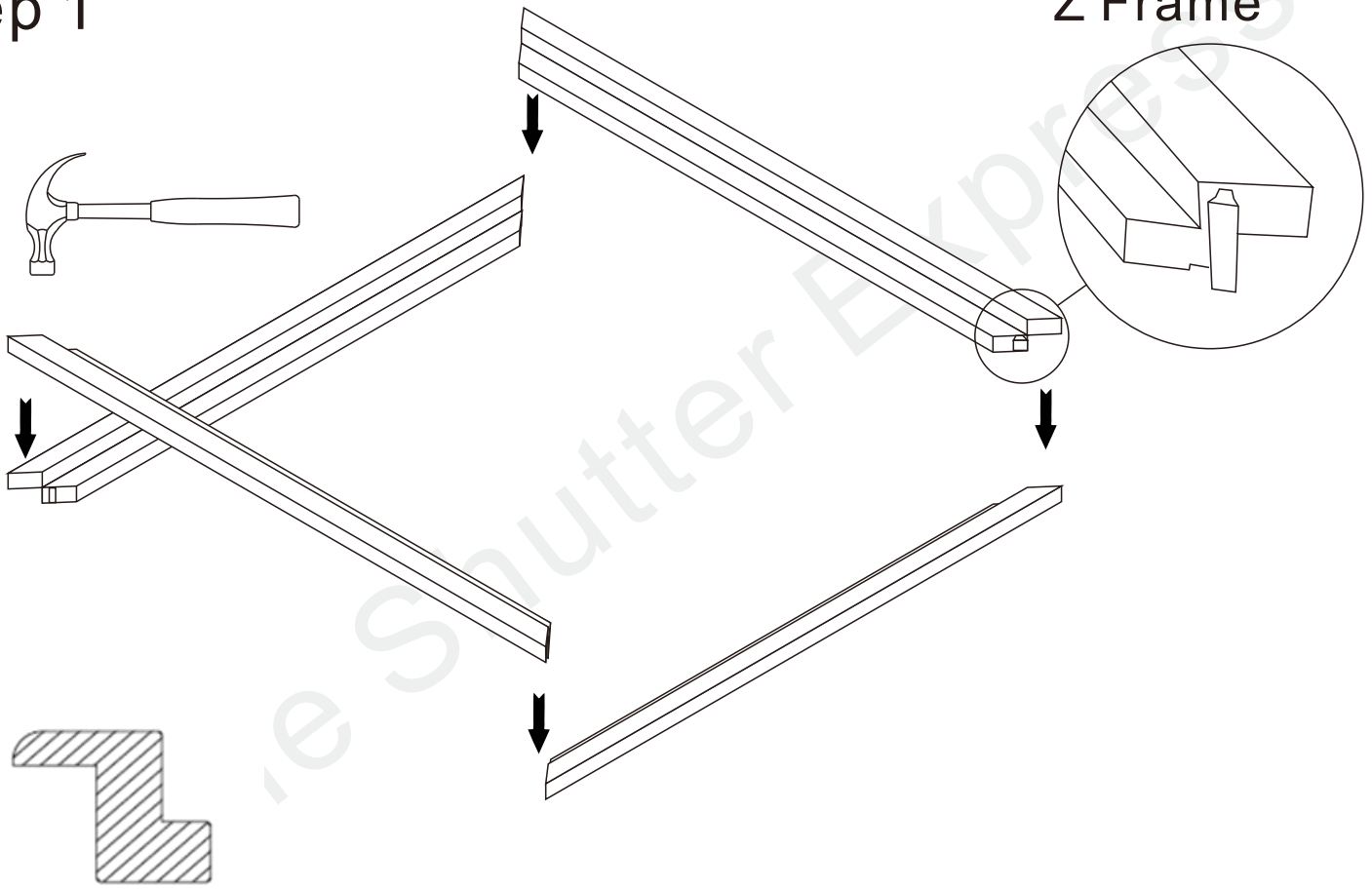


Step 4

Face-fit L Frame

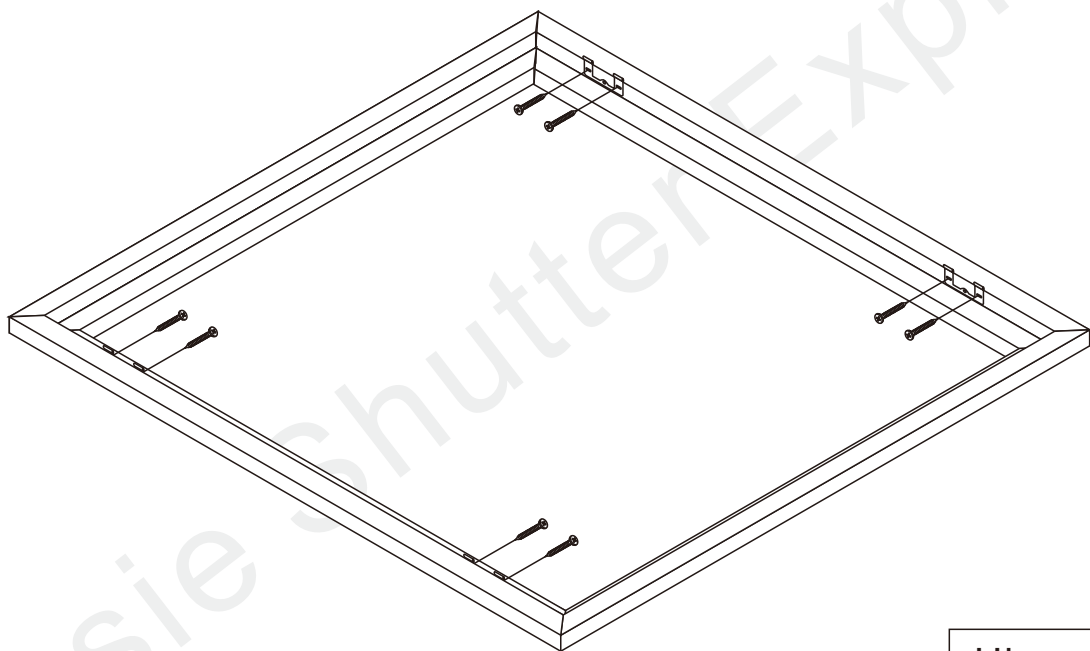


Step 1



Z Frame

Step 2



Z Frame

Hinge Screw

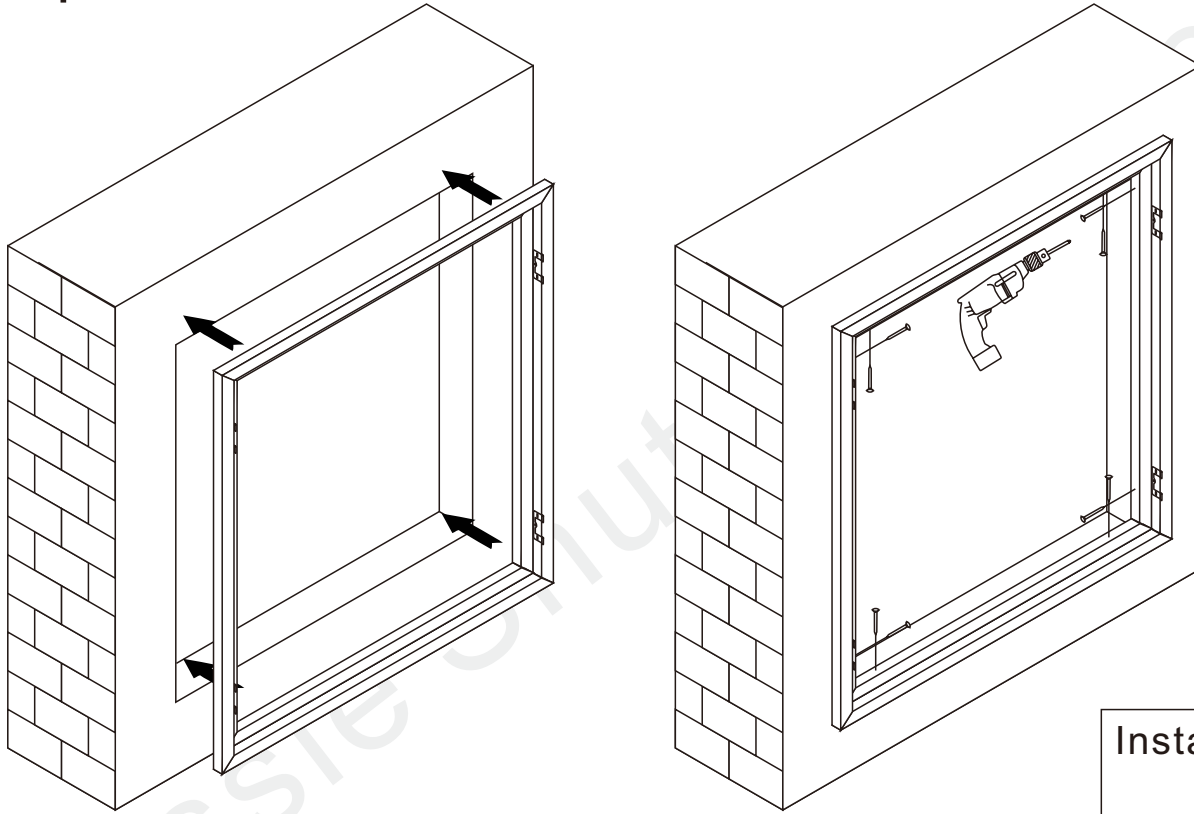


3. 8x23mm

8pcs

Step 3

Z Frame



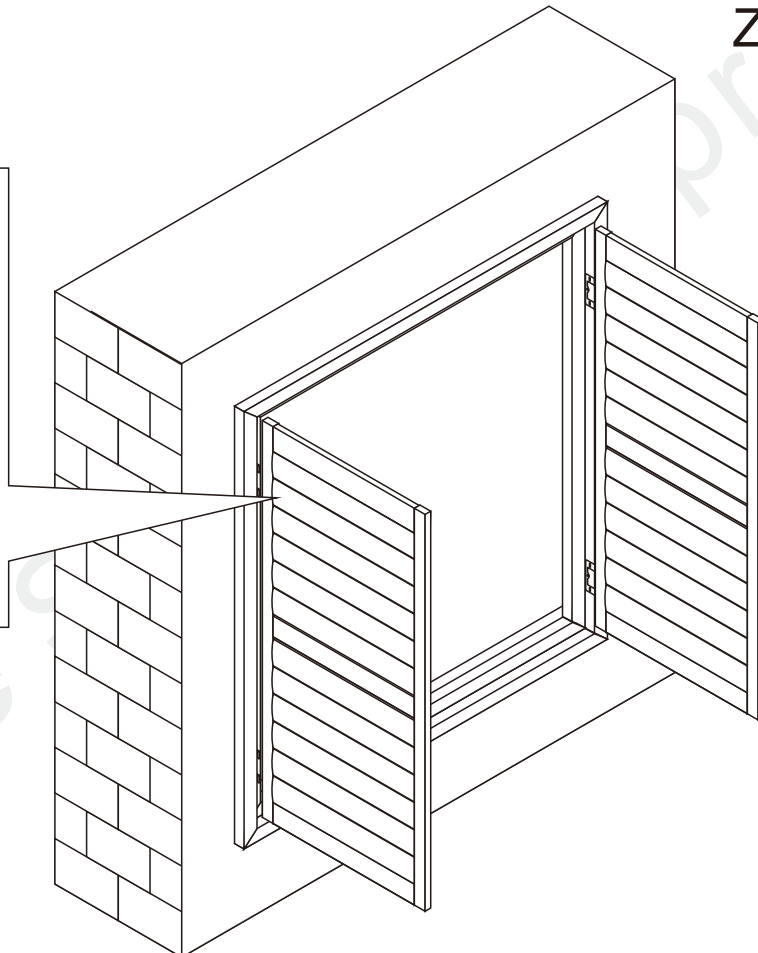
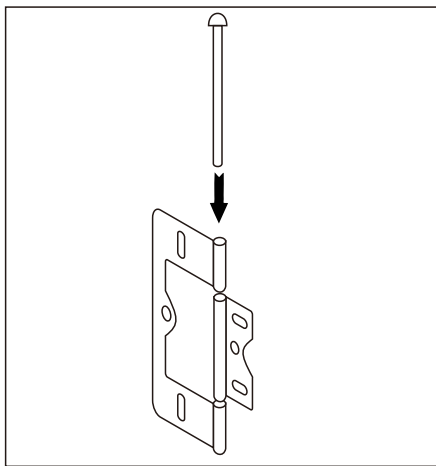
Installation Screw



3. 8x63.5mm
8pcs

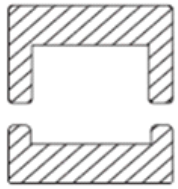
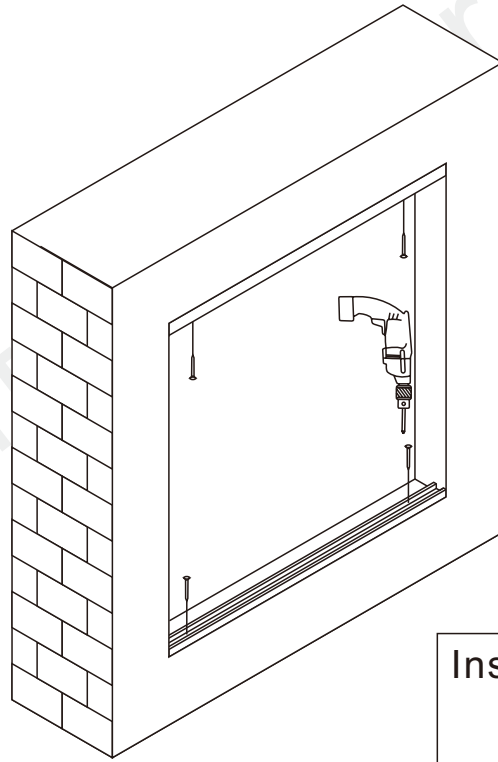
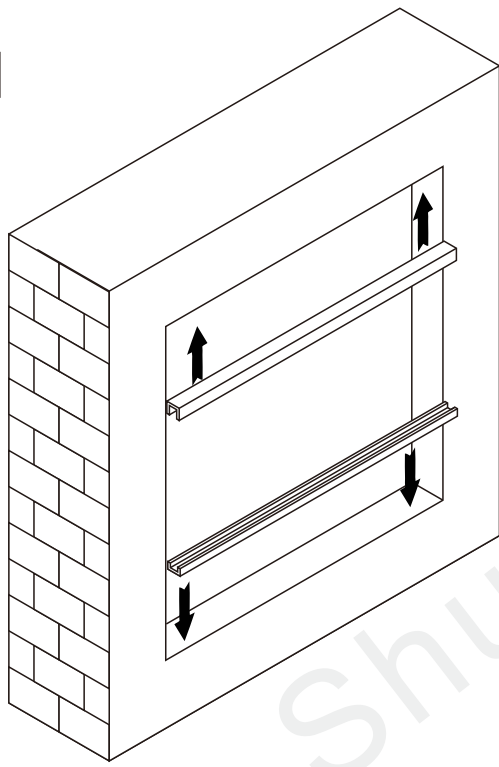
Step 4

Z Frame



Step 1

U Channel



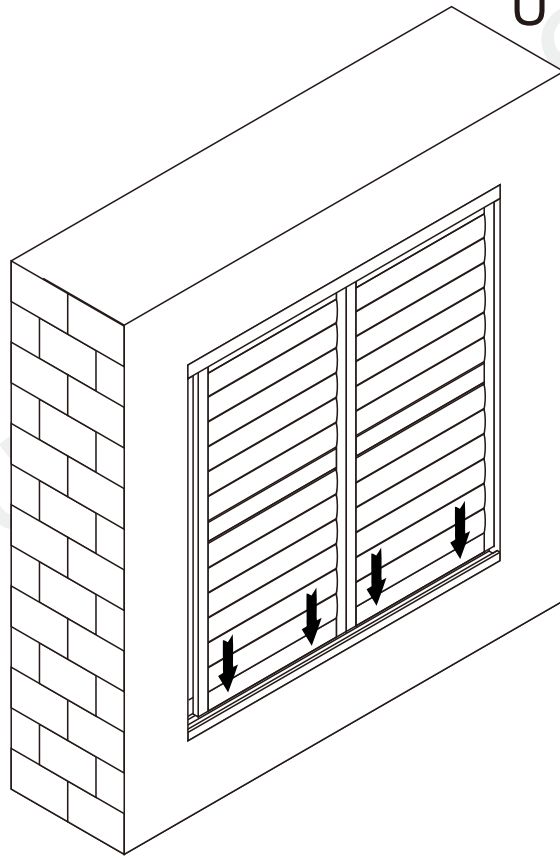
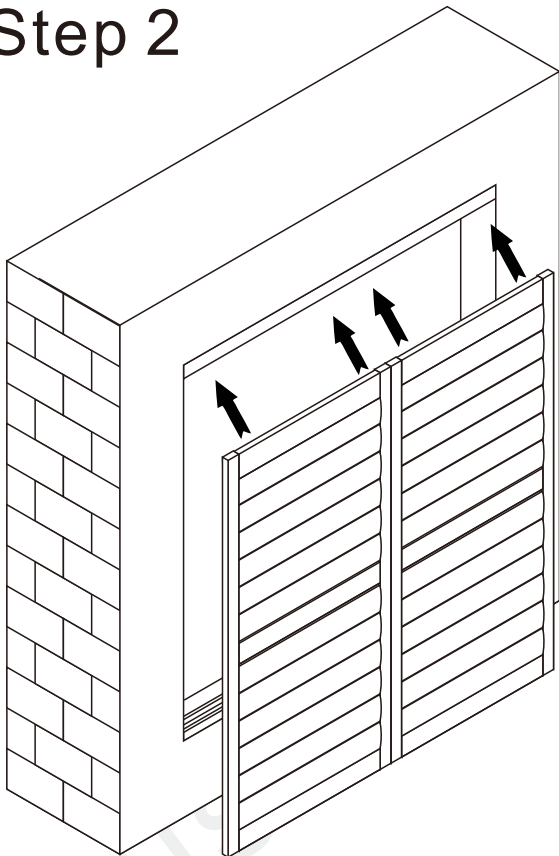
Installation Screw



3. 8x63.5mm
4pcs

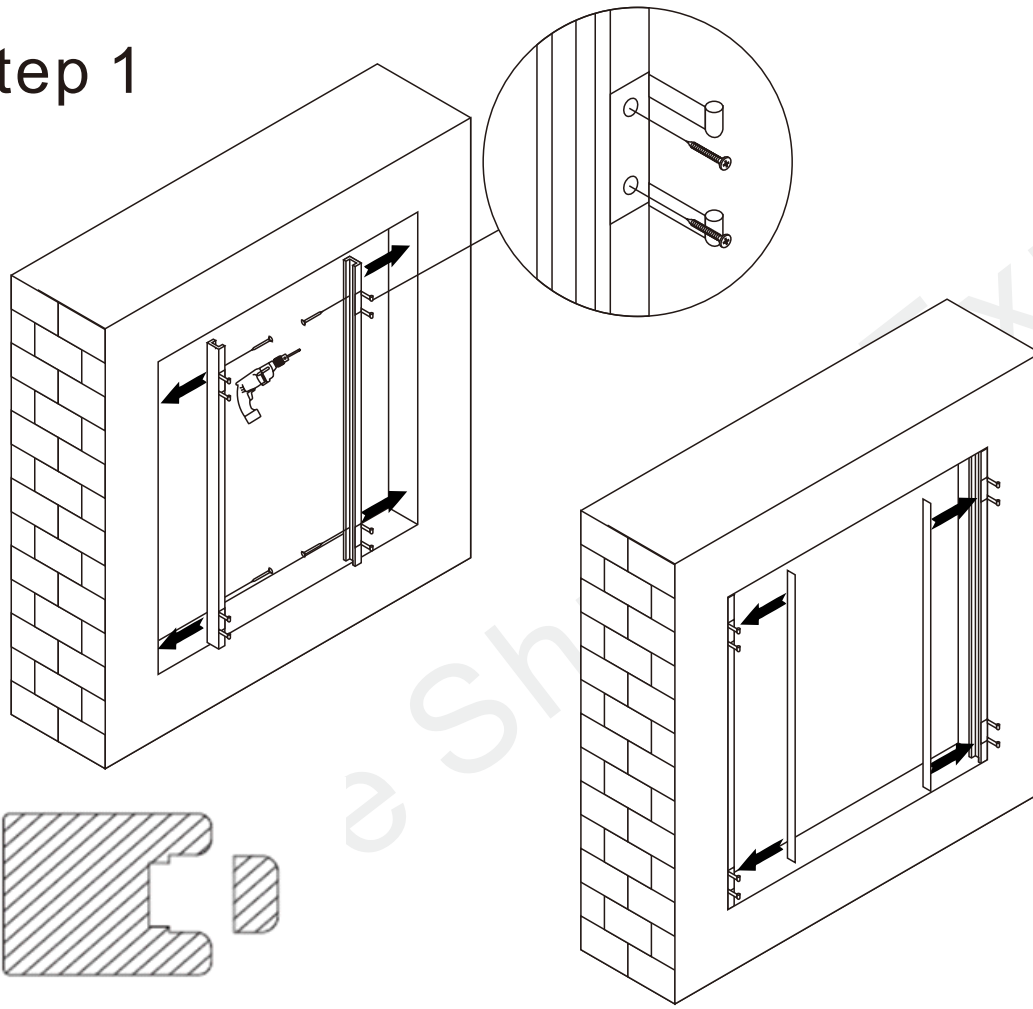
Step 2

U Channel



Step 1

Hangstrip



Hinge Screw



3. 8x23mm
8pcs

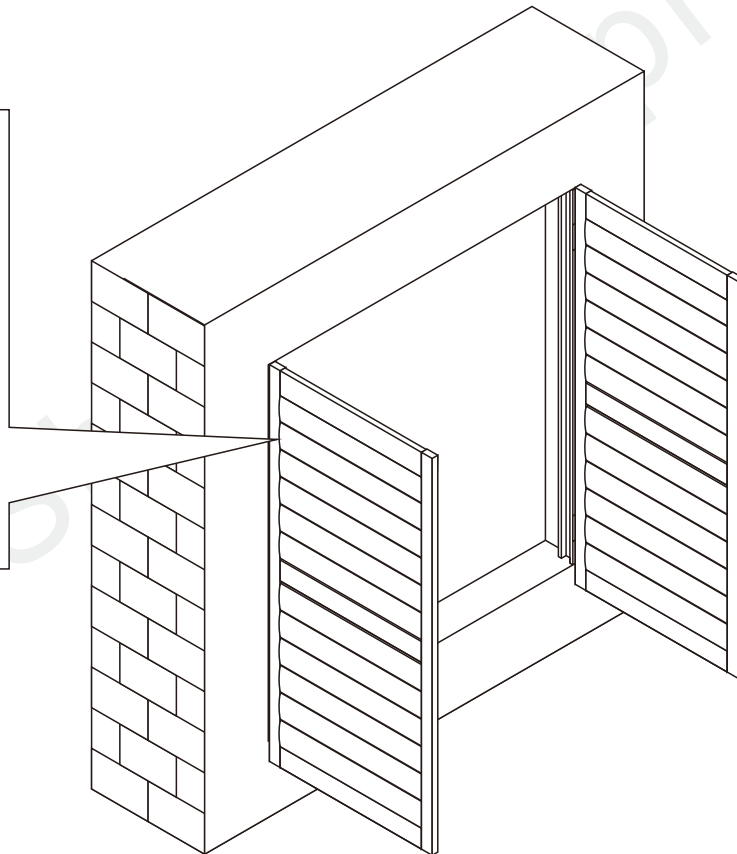
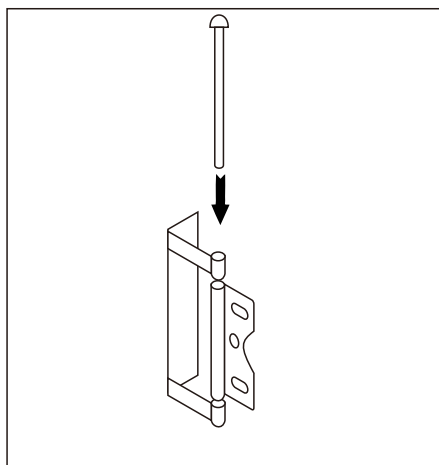
Installation Screw



3. 8x63.5mm
4pcs

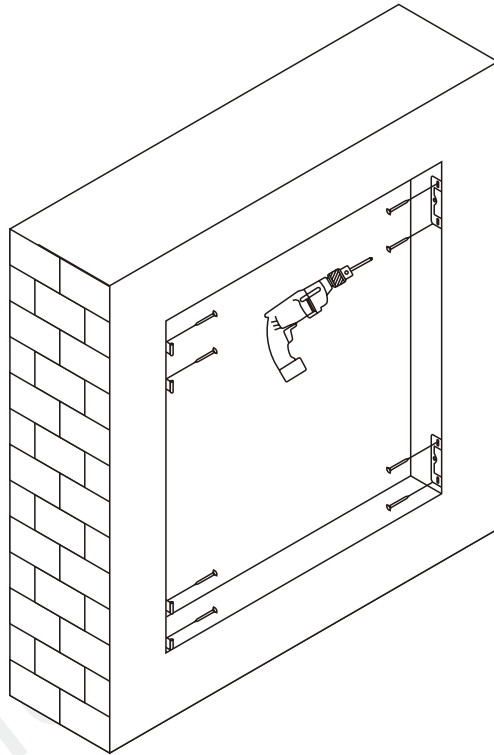
Step 2

Hangstrip



Step 1

No Frame



Hinge Screw



3. 8x23mm

8pcs

Step 2

No Frame

